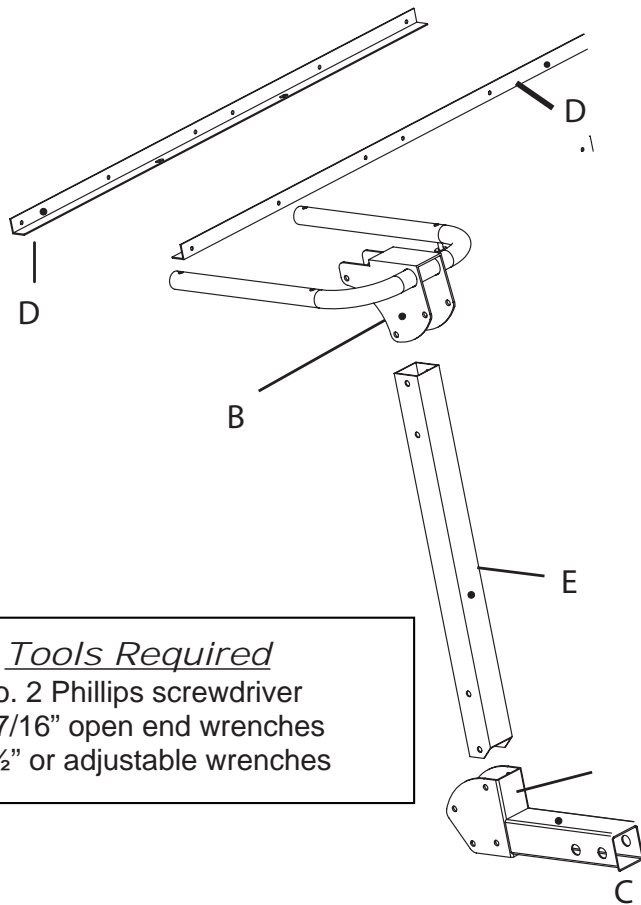


SPORTS FAN ★★★ TAILGATE TABLE ★★★

WARNING

- Stabilizer Bracket **MUST BE SECURE**
- **LOAD LIMIT FOR TABLE TOP IS 50 LB.**
- **DO NOT SIT, STAND OR LEAN ON TABLE TOP.**
- **BE CERTAIN VEHICLE PARKING BRAKE IS SET AND VEHICLE IS STABLE BEFORE TABLE USE.**
- **CHECK BOLT AND SCREW CONNECTIONS BEFORE EACH USE. NORMAL ROAD VIBRATIONS MAY CAUSE FASTENERS TO LOOSEN.**
- **TABLE MUST BE SECURED TO VEHICLE HITCH RECEIVER WITH A HITCH PIN (5/8" PIN FOR 2" MODELS, 1/2" PIN FOR 1 1/4" MODELS).**
- **DO NOT ADJUST TABLE POSITION WITH OBJECTS ON THE TABLE TOP.**



Tools Required

- No. 2 Phillips screwdriver
- (2) 7/16" open end wrenches
- (2) 1/2" or adjustable wrenches

Part I.D.	Part Description	Quantity
A	Table Top	2
B	U-Tube	1
C	Receiver Plug	1
D	Angle Support	2
E	Center Leg	1
F	No. 10 x 1/2 Pan Head Screw (Phillips)	12
G	1/4 -20 x 1 1/2 Hex Head Screw	4
H	1/4-20 Lock Nut	4
I	Small Flat Washer	10
J	5/16-18 x 2 1/2" Hex Head Bolt	1
K	5/16-18 Lock Nut	2
L	Large Flat Washer	1
M	3/8" Snap Pin	1
N	1" Round Tube Cap	2
O	5/16" Snap Pin	2
P	Vinyl Cover	1
Q	Stabilizer Bracket	1
R	Offset Eyebolt	1

For Technical Assistance or Parts

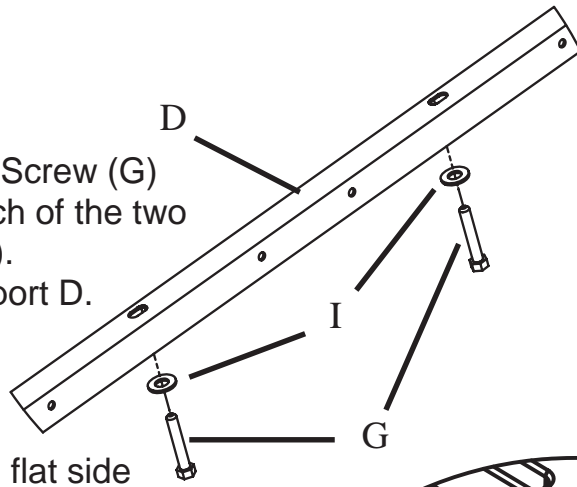
Contact Customer Service Dept. Monday through Friday 8:00am - 5:00pm Central Standard Time
customerservice@booneoutdoorhardware.com

Telephone: (573) 814-0966

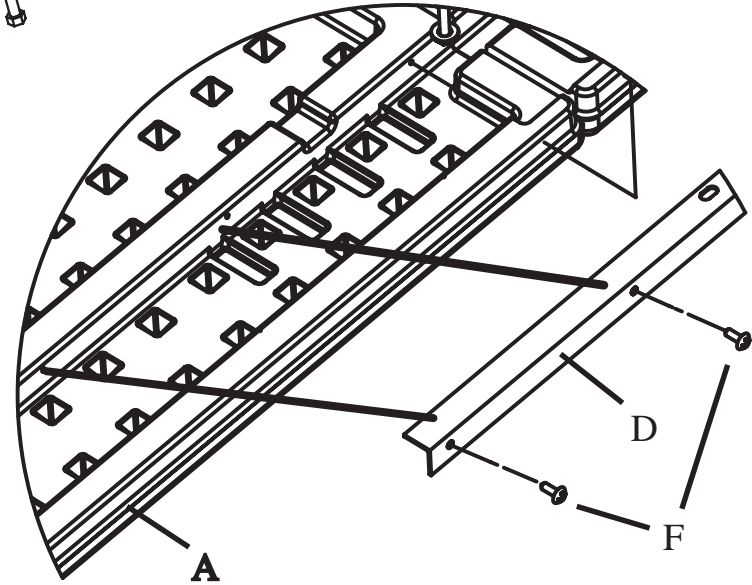
FAX Number: (573) 814-1201.

Assembly Steps

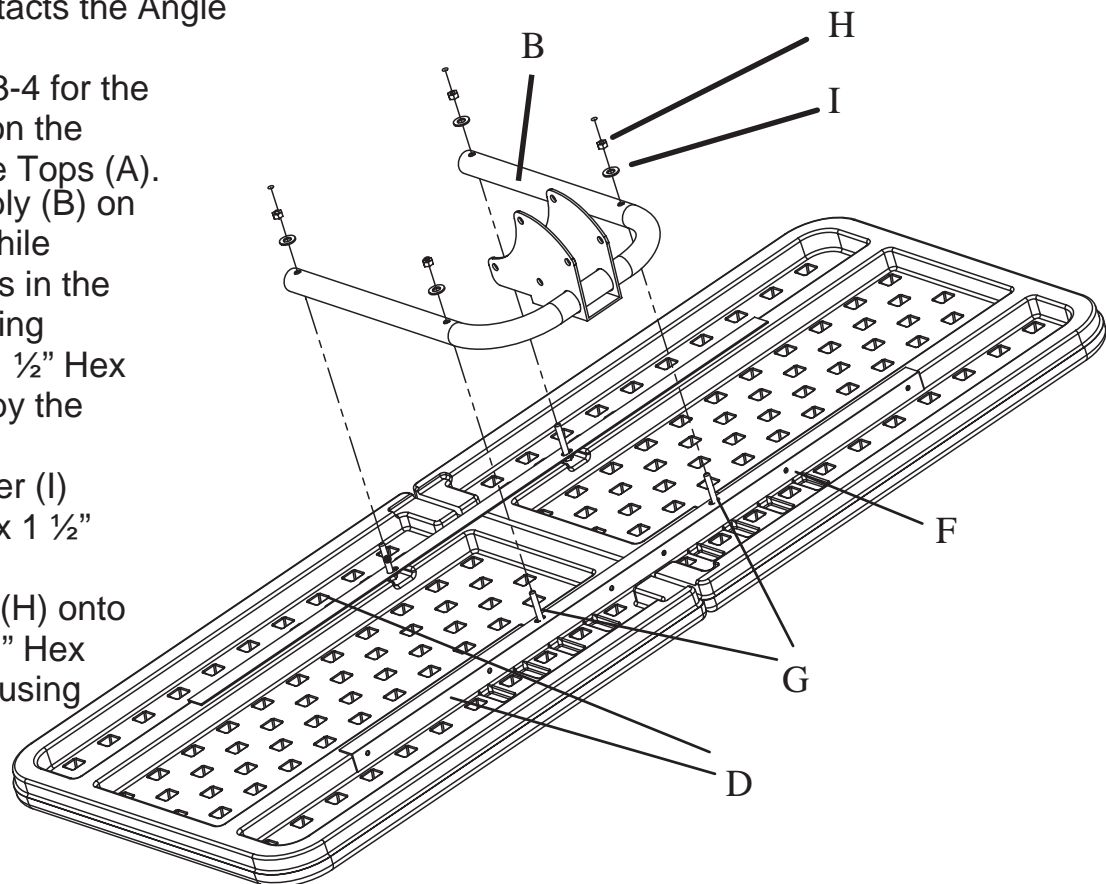
1. Insert one $\frac{1}{4}$ -20 x 1 $\frac{1}{2}$ " Hex Head Screw (G) with Small Flat Washer (I) into each of the two oval slots in the Angle Support (D).
2. Repeat for the second Angle Support D.



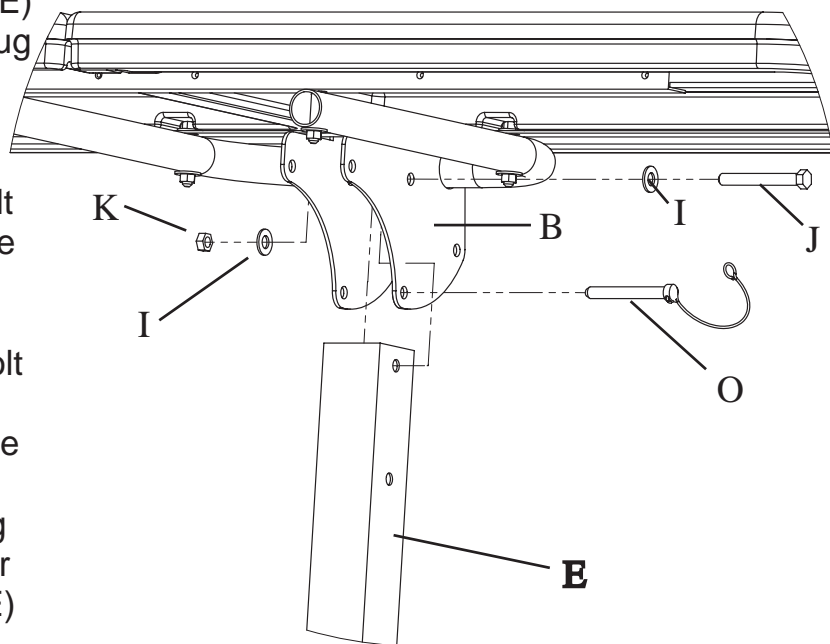
3. Set Table Tops (A) end to end with flat side down on a level surface.
4. While keeping the $\frac{1}{4}$ -20 x 1 $\frac{1}{2}$ " Hex Head Screws (G) and Small Flat Washers (I) in the oval slots align the six round holes in the Angle Support (D) with the punched holes in the Table Tops (A). The heads of the Hex Head Screws (G) will rest in the rectangular recesses in the bottom of the table top.
5. Using a No. 2 Phillips screwdriver thread one No. 10 Pan Head Screw (F) through each of the six holes in the Angle Support (D) and into the Table Tops (A).
NOTE: Do not overtighten. Tighten 1 turn after the Screw head contacts the Angle Support (D).



6. Repeat Assembly Steps 3-4 for the other Angle Support (D) on the opposite side of the Table Tops (A).
7. Set the U-Tube Subassembly (B) on top of the Table Tops (A) while aligning the four round holes in the U-Tube (B) with the protruding threads of the four $\frac{1}{4}$ -20 x 1 $\frac{1}{2}$ " Hex Head Screws (G) retained by the Angle Supports (D).
8. Insert one Small Flat Washer (I) onto each of the four $\frac{1}{4}$ -20 x 1 $\frac{1}{2}$ " Hex Head Screws (G).
9. Thread one $\frac{1}{4}$ -20 Lock Nut (H) onto each of the four $\frac{1}{4}$ -20 x 1 $\frac{1}{2}$ " Hex Head Screws (G). Tighten using two $\frac{7}{16}$ " wrenches.



10. Insert the Center Leg (E) into the opening of the U-Tube (B). NOTE: Center Leg (E) is already assembled to the Receiver Plug (C).
11. Align the top hole of the Center Leg (E) with the top hole in the U-Tube (B).
12. Insert one 5/16-18 x 2 1/2" Hex Head Bolt (J) with Small Flat Washer (I) through the aligned holes. Place one Small Flat Washer (I) and 5/16-18 Lock Nut (K) on the threaded portion of the Hex Head Bolt (J). Tighten using two 1/2" or adjustable wrenches. **NOTE:** The amount of torque applied to the Bolt (J) and Lock Nut (K) will determine how easily the Center Leg (E) pivots relative to the U-Tube (B). For best results tighten so the Center Leg (E) will not move by its own weight.
13. Insert the 5/16" Snap Pin (O) in the aligned bottom holes (this hole alignment is used for the Standing Position).



Use Instructions

Installing Sports Fan Tailgate Table to Hitch Receiver

1. Insert Receiver Plug (C) of table assembly into the Hitch Receiver.
2. Insert the Stabilizer Bracket (Q) and one Large Flat Washer (L) on the threaded portion of the Offset Eyebolt (R).
3. Thread one 5/16-18 Lock Nut (K) approximately 1/4" on the Offset Eyebolt (R).
4. Insert a Hitch Pin (not included) through the eye of the Offset Eyebolt (R) and into the pin hole of the Hitch Receiver.
5. Secure the Hitch Pin with a Hitch Pin Clip (not included).
6. Insert the angle edge of the Stabilizer Bracket (Q) into the gap between the inside of the Hitch Receiver and the Receiver Plug (C).
7. Tighten the 5/16-18 Lock Nut (K) so the angled edge of the Stabilizer Bracket (Q) wedges between Receiver Plug (C) and Hitch Receiver. This eliminates any play between the table assembly and Hitch Receiver.

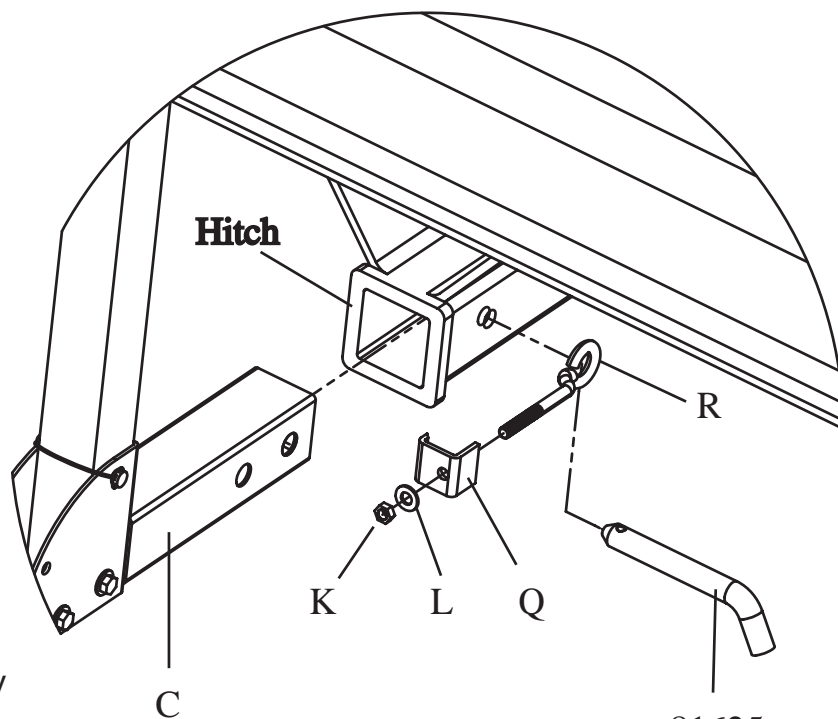


Table Positions

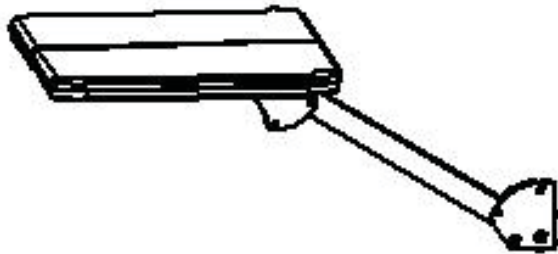
WARNING

- **THE TABLE SHOULD ALWAYS BE IN THE TRANSPORT POSITION WHILE THE VEHICLE IS IN MOTION.**
- **BE SURE SNAP PINS ARE FULLY INSERTED AND WIRE RETAINER IS IN PLACE BEFORE USE OR TRANSPORT.**

The three different table positions are created by removing the Snap Pins and pivoting the Table Tops and Center Leg relative to each other and the Hitch Receiver. Insert the Snap Pins in the corresponding holes in the Center Leg and stamped plates.



Bar Height



Dining Height

Maintenance and Cleaning

Do not use abrasive or caustic cleaners on the table tops or support frame. For best cleaning results use hot water with liquid dish detergent. To sanitize the table tops use a mixture of $\frac{3}{4}$ cup household bleach to 1 gal. water.

Boone Outdoor Hardware Limited Factory Warranty

Boone Outdoor Hardware products are warranted to the original purchaser, to be free of defects in material or workmanship, for a period of five years from the date of original consumer purchase. The word "defect" is classified as any imperfections to material or fabrication that impair the practical performance of the product. Defect submissions resulting from misuse, abuse, negligence, vandalism or acts of nature will void this warranty. This warranty does not cover effects of weather, oxidation or any alterations to the product that are beyond the control of the manufacturer. In the unlikely event that a warranty situation exists we ask that you please contact us first. Our representatives may then ask you to return the product to us. Upon receipt of the product, we will make an examination of the product to determine its physical condition. If the product qualifies within the parameters of the warranty, we will repair or replace the entire product, or components thereof, in order to return the product to its prior working condition. Shipping charges to and from the factory should not generally be considered under warranty, unless there is a product discrepancy found. If a warranty condition is found to exist, we will cover the shipping charges back to the purchaser at our discretion of shipment carrier. This warranty is in lieu of all other warranties expressed or implied, including warranties of merchantability or fitness for use. Neither Boone Outdoor Hardware, Inc., nor any of its affiliates or representatives, assumes any other liability in connection with this product.

Boone Outdoor Hardware prides itself on the manufacture of quality products, and on the close relationships that we have forged with our customers. It is our pledge to make every effort to continue performing within this elevated spirit.